

FLAIL MOWER EFGC



FOREWORD

The purpose of this manual is to assist you in operating and maintaining your Flail mower. Read it carefully before operating and maintaining the Flail mower, it furnishes the specifications, construction, instructions and also the maintenance. Some information may be general in nature due to unknown and varying conditions. However, through experience and these instructions, you should be able to develop operating procedures suitable to your particular situation.

“Right” and “left” as used throughout this manual are determined by facing the direction the machine will travel when in use.

Please kindly note that the contents of this operations manual may be a little bit different from the Flail mower that you actually purchase. This is due to the continuous improvement and development of the EFGC series Flail mower, however, the specifications and structure of the Flail mower shall be subject to change without notice.

Thank you very much for purchasing our products. We cordially welcome all the suggestions, advises and comments on our products from the users and dealers so that we may make necessary improvements on our products continuously to meet the requirements of every specific market.

We strived to make this operations manual as correct as possible. However, we do not guarantee the accuracy or recentness of the information herein due to having translated the manual to English. We assume no liability for errors or omission.

CONTENTS

CHAPTER I SAFETY INFORMATION.....	
1.1 Safety First.....	
1.2 Safety Signs.....	
CHAPTER II SPECIFICATIONS.....	
2.1 Brief Introduction.....	
2.2 Specifications and Parameters for Flail Mower.....	
CHAPTER III OPERATION.....	
3.1 Checking Before Operating.....	
3.2 Adjusting the Height.....	
3.3 Regulating the Tension of Driving Belt.....	
3.4 Starting up.....	
CHAPTER IV SERVICE AND MAINTENANCE.....	
4.1 Service.....	
4.2 Maintenance.....	
4.3 Storage.....	
4.4 Operation After Storage.....	
CHAPTER V WARRANTY	
CHAPTER VI ILLUSTRATED PARTS CATALOGUE.....	

CHAPTER I SAFETY INFORMATION

PLEASE NOTE

Make sure all potential operators of this equipment review this manual and all safety messages contained within.

1.1 Safety First

Read this service manual before using the machine.

This safety alert symbol indicates important safety messages in this manual. When you see this symbol, carefully read this message that follows and be alert to the possibility of personal injury or death.

This machine is designed for pulverizing grass and short bramble, and shall be used in the indicated purpose. You take the responsibility if the machine is used in any other purposes.

For safety of personnel and good performance of the machine, you shall check the performance of the machine and the tractor before starting the machine.

All persons and animals shall keep away the machine when you start it.

The operator shall not put on too loose clothes during operating the machine.

Do not touch the rotor when the machine rotates.

Keep away the machine when it moves.

When the tractor and the machine are moving on the road, always keep the machine off.

Before repairing the machine, stop all movable parts and the tractor, keep the key with yourself.

Always keep the machine in a good state, if necessary, repair or change the defective parts.

Don't use the machine to transport personnel.

Don't modify the machine.

Pay attention to the sharp and pointed parts during repairing the machine.

All protective parts shall be guaranteed to be in good state before starting the machine.

Don't leave the tractor when moving the machine; and always take away the key of the tractor with you.

The machine shall be operated in the recommended speed.

Don't stay between the tractor and the machine.

Don't start the machine in a closed place (due to the smoke from the tractor).

1.2 Safety Signs

1.2.1 Care of Safety Signs

1. Keep safety signs clean and legible at all times.
2. Replace safety signs that are missing or have become illegible.
3. If a component with a safety sign(s) affixed is replaced with a new part, make sure new safety sign(s) are attached in the same locations as the replaced components.
4. Safety signs are available from your authorized Distributor or Dealer Parts Department or the factory.

1.2.2 Safety Signs locations

The types of safety signs and locations on the equipment are shown in the illustrations that follow. Good safety requires that you familiarize yourself with the various safety signs, the type of warning and the area, or particular function related to that area, that requires your **SAFETY AWARENESS**.

CHAPTER II SPECIFICATIONS

2.1 Brief Introduction

EFGC series Flail mower is designed for pulverizing grass and short bramble, and shall be used in the indicated purpose.

The Flail mower consists of a rotating shaft with many blades attached to it. The blades cut the grass while traveling over the working area. Rotational power to the shaft is provided by the tractor PTO through the gearbox in the center of the machine.

The Flail mower attaches to the 3 point hitch on the tractor.

Fig. 2.1 Main components of the Flail mower

1. Blade axle
2. Blade axle cover
3. Combined fender
4. Supporting frame
5. Gearbox assembly
6. Suspension bracket
7. Transmission shaft
8. Belt wheel and belt

2.2 Specifications and Parameters for Flail Mower

MODEL	EFGC-105	EFGC-115	EFGC-125	EFGC-135
DIMENSIONS(L*W*H)	1165*790*850mm	1265*790*850mm	1365*790*850mm	1465*790*850mm
STRUCTURE WEIGHT	225Kg	238Kg	250Kg	265Kg
CUTTING WIDTH	1.02m	1.12m	1.22m	1.32m
WORKING EFFICIENCY	3300-9000m ² /h	3700-9800m ² /h	4000-10600m ² /h	4300-11400m ² /h
PTO TURNNING SPEED	540r/min	540r/min	540r/min	540r/min
PTO SPLINE	6*8*800mm	6*8*800mm	6*8*800mm	6*8*800mm
POWER REQUIRED	18-25HP	18-25HP	18-25HP	20-30HP
MODEL	EFGC-145	EFGC-155	EFGC-165	EFGC-175
DIMENSIONS(L*W*H)	1565*790*850mm	1665*790*850mm	1765*790*850mm	1865*790*850mm
STRUCTURE WEIGHT	280Kg	300Kg	315Kg	330Kg
CUTTING WIDTH	1.42m	1.52m	1.62m	1.72m
WORKING EFFICIENCY	4600-12400m ² /h	4900-13000m ² /h	5200-13800m ² /h	5500-14400m ² /h
PTO TURNNING SPEED	540r/min	540r/min	540r/min	540r/min
PTO SPLINE	6*8*800mm	6*8*800mm	6*8*800mm	6*8*800mm
POWER REQUIRED	30-35HP	30-40HP	35-45HP	40-50HP

CHAPTER III OPERATION

CAUTION: Be familiar with the machine before starting. Read this manual carefully to learn how to operate the machine safely and how to set it to provide maximum field efficiency.

3.1 Checking Before Operating

ATTENTION: Only use universal joint conforming to CE standard and protect them properly.

Before operating the machine, the following areas should be checked off:

1. **Pay attention to the warning stickers on each greasing point. Before starting the machine, please make sure lubricate each grease point with grease or oil according to requirement on the warning stickers.**
2. Use only an agricultural tractor of horsepower within limits of the machine specified.
3. Check that the machine is properly attached to the tractor. Be sure retainers are used on the mounting pins.
4. Be sure extra weights are mounted on the front of the tractor.
5. Check the oil level in the gearbox. Add as required.
6. Check that the tractor PTO shaft turns freely and that the machine driving shaft can telescope easily.
7. Check the blades. Be sure they are not damaged or broken and swing freely in their mount. Repair or replace as required.
8. Check and tighten the blade bolts.
9. Check for entangled material in all rotating parts. Remove this material.
10. Install and secure all guards, doors and covers before starting.
11. Before installing the universal joint, the tractor and the machine motor shall be stopped and the key be taken away. The universal joints shall be installed in good state, with proper protective parts.
12. The chain on the protective parts of the universal joint shall be guaranteed in good condition, in case, automatic rotation occurs.
13. All other persons shall leave the ground before connecting the driving power from the tractor. Keep the output of the tractor at 540 RPM.
14. Before cleaning, repairing and lubricating the machine, stop the motor and take away the key with you.
15. When the universal joint is not connected with the tractor, they must be connected again through the frame to protect the joint from damaging.
16. Don't approach the machine when the machine runs.

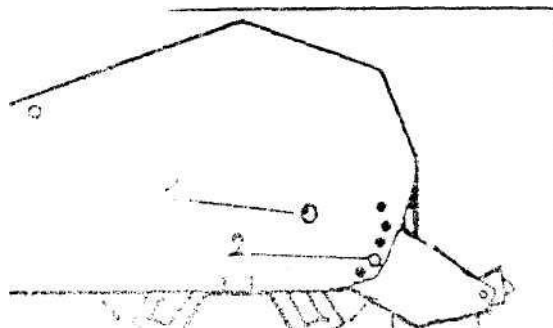
3.2 Adjusting the Height

In order to conduct a precise work, the machine shall be operated according to the recommended cutting height.

For saving fuel and power, and reducing the wear of the machine, the cutting height must

be regulated correctly.

When regulating the working height, loosen the screw (1), remove the screws (2) on both sides; regulate the roller height (see following drawing); fix the parts on the set position. The lowest hole is the highest working height; put the screws (2) into the set hole; tighten screw (1) and screws (2).



3.3 Regulating the Tension of Driving Belt

ATTENTION: The machine shall always stand still for regulating the tension.

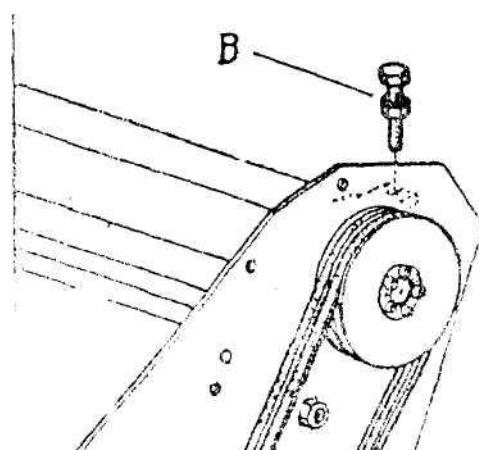
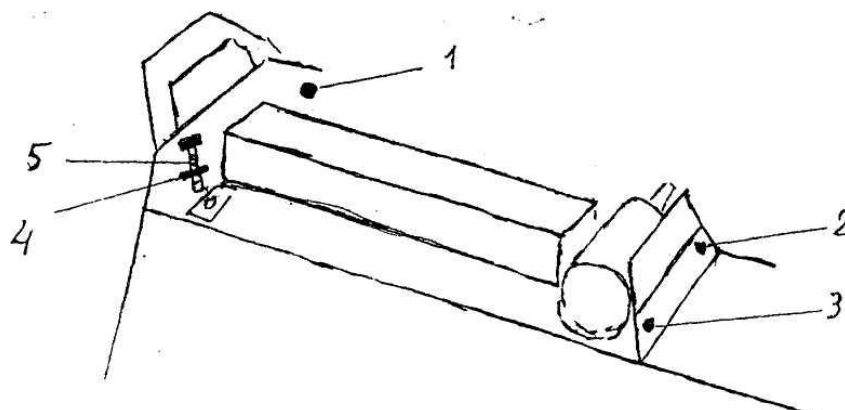
Remove the driving belt cover.

Loosen screws 1. 2. 3. 4.

Tighten the driving belt with screw 5.

Tighten the screws 1. 2. 3. 4.

Put back the driving belt cover.



The recommended moving forward speed is 1.5 km/h, according to the grass height, thickness and working condition.

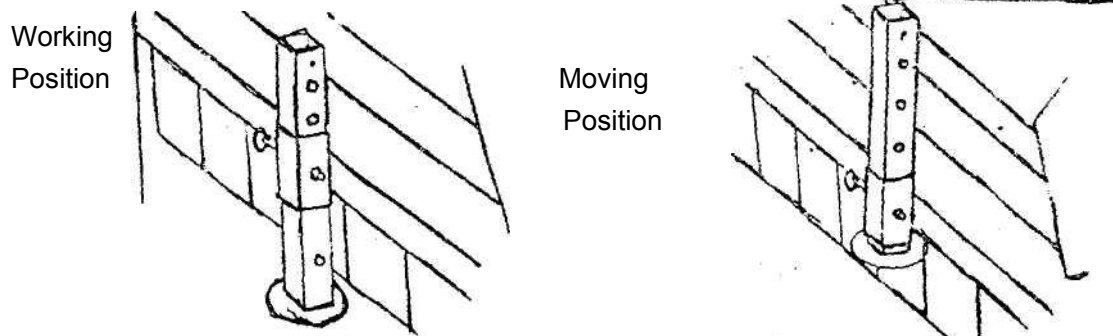
The driving belts are tightened by hand at the regulating point B up to the correct tension. Tighten all screws after regulating.

The driving belts shall be replaced when they are not in a good condition.

3.4 Starting up

Before starting the machine, control and adjust the following items:

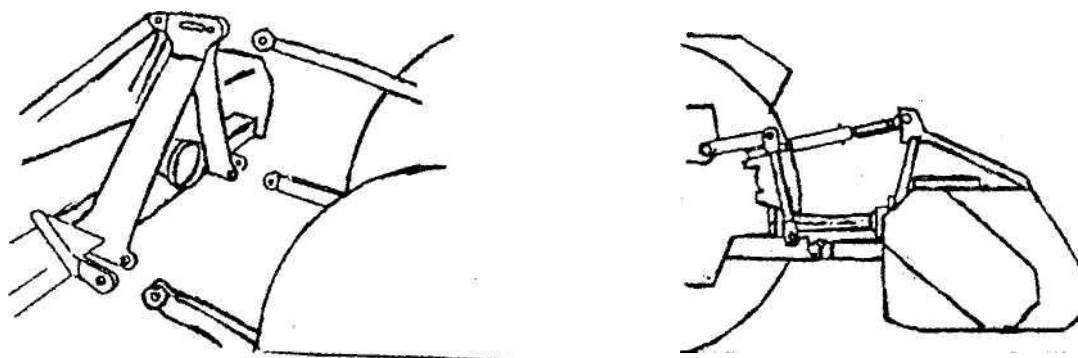
- Tension of trapezoidal driving belt.
- Oil level of gear.
- Point of lubrication
- All bolts, nuts and screws.



In order to keep the machine stable, install the supporting frame on the machine when the machine is stopped (see above drawing).

ATTENTION: When transferring the moving state of the machine to the working state, do not stand between the machine and the tractor.

The machine coupling is equipped with 3 pins so that the machine can be coupled with all tractors with universal coupling with 3 pins. Each telescopic pole on the machine can be adjusted properly according to the type of the tractor. Keep the Flail mower away the tractor with a certain distance. The universal joint shall be tense and the largest distance in the closed state shall be 5/10 cm.



Moving the lifting arm, and putting it between axes, insert the joint pins and fix them with pins. Fix the lifting arm with chain and tensioning device so as to prevent lateral movement of the machine. Connect the universal joint to the PTO shaft of the tractor on the side of the tractor. In any event, it cannot produce a collision in any position. While connecting 3 points, pay attention to that the PTO shaft of the tractor shall be parallel with the ground. It is very important to keep the machine driving axle and the PTO shaft of the tractor in parallel.

The machine shall be lifted from the ground before moving the machine.

CHAPTER IV SERVICE AND MAINTENANCE

4.1 Service

4.1.1 FLUIDS AND LUBRICANTS

1. Grease:

Use multi-purpose lithium based grease.

2. Gear Box Oil:

Use N46 drive & hydraulic dual-purpose oil or equivalent for all operating conditions.

Each Gearbox Capacity: 0.85 liter

3. Storing Lubricants:

Your machine can operate at top efficiency only if clean lubricants are used. Use clean containers to handle all lubricants. Store them in an area protected from dust, moisture and other contaminants.

4.1.2 GREASING

- Use a hand-held grease gun for all greasing.
- Wipe grease nipple with a clean cloth before greasing, to avoid injecting dirt and grit.
- Replace and repair broken nipple immediately.
- If nipples will not take grease, remove and clean thoroughly. Also clean lubricant passageway. Replace nipple if necessary.

4.2 Maintenance

ATTENTION: All maintenance, repairing, cleaning and lubricating shall be conducted when the tractor and motor are stopped and the key is taken away.

By following a careful service and maintenance program for your machine, you will enjoy many years of trouble-free operation.

The period recommended is based on normal operating conditions. Severe or unusual conditions may require more frequent maintenance.

4.2.1 8 HOURS OR DAILY MAINTENANCE

- Check and screw all nuts and bolts in connection parts.
- Check the blade and fixing parts every day and replace the damaged parts if they are found damaged. Don't install damaged, worn and unbalanced blade. New sleeve shall be used to replace the worn fixing parts on the blade.

NOTE:

The operator shall put on gloves and use suitable tools before changing blade.

- Check the oil in gearbox. Fill them up to line if it's necessary.
- Press butter in each oil nipple three to five times.
- Clean the implement; take away all grass and mud.

IMPORTANT: Check the oil level only when the unit is cold and the machine is on the level.

4.2.2 SEASON MAINTENANCE

- Check the machine as below beside the terms of daily maintenance.
- Check the oil in gearbox; replace it if it is bad.
- Check the bearings of blade spindles whether mud and water have been enter because oil seals are damaged, if it's so, disassemble and clean them and replace them if it is necessary. And then press butter into them.
- Check the distance between bearings and gears. Adjust them if it's necessary.

4.2.3 ANNUALLY MAINTENANCE

- Cleaning mud and grass on the machine thoroughly.
- Check all clearance between bearings and gears if you have replaced them. Please run it without load for 3-5 minutes.
- Check and clean blade axles. Replace oil seals and press butter into them.
- Check all blades, replace then if they are wear-out or damaged.
- Repair the side skirts; let them to original technical condition. Replace damaged or broken protective devices.
- Remove the driving shaft from the machine. Pull the machine driving shaft apart. Check and replace any components that are damaged or worn. Install the driveline on the machine. The machine driving shaft should telescope easily and the guard turn freely on the shaft
- Let the oil in gearbox drain out thoroughly. Check and clean it. Fill new gear oil up to the dedicated oil level.

The oil shall be drained off after 50 hours of using time. Then the oil shall be drained off every 250 hours. One time every year at least.

The draining procedure is as follows: remove the draining bolt under the gear box, so that the oil drains off. After the oil is drained off, put back the cover and fill the gear oil up to the dedicated oil level.

ATTENTION: Don't forget to disconnect the generator cable and batteries when welding on the machine, while the machine is coupled with the tractor.

4.3 Storage

The machine inside and outside shall be cleaned carefully so as to avoid corrosion.

Don't spray water on the rolling bearing if you clean the machine with high pressure sprayer.

Check and clean the universal joint, driving belt press roller, or replace them if they are not in good state.

Spread oil on all parts required.

Recoat the parts rubbed and damaged for anti corrosion.

Store the machine in a dry, level area. Support the frame with planks if require.

4.4 Operation After Storage

Before the machine is started up, check the following items regularly:

Check oil level and add it if not enough.

Check and tighten all screws and nuts;

Check the regulated state of the machine.

Check the blade state.

Check the air hole on the gearbox. If it is blocked, clean or open the hole with compressed air.

Don't spread oil or grease on the driving belts. If there is oil or grease on the belts, wipe the belts, in case the belt sliding and wearing occur.

ATTENTION: Check the machine every 10 hours. Repair the damaged parts or replace the blade according to the manufacturer's recommendation, to keep the machine balancing.

Check all tightening parts and replace them if necessary.

Don't remove the protective parts on some points and protect the machine.

ATTENTION: In the case of vibration, stop the machine and check the blade. If the blade breaks or is damaged, replace it with same type of the blade. If the machine vibrates still, send the machine to the authorized repairer.

CHAPTER V WARRANTY

our company warrants to the original purchaser that this product will be free from defects in material and workmanship beginning on the date of purchase by the end user according to the following schedule when used as intended and under normal service and conditions for personal use.

Overall Unit and Driveline: One year Parts and Labor

Gearbox: One year on all components.

Blades and Belts: Considered wear items.

This warranty is limited to the replacement of any defective part by manufacturer and the installation by the dealer of any such replacement part, and does not cover common wear items such as blades, belts, tines, etc. our company reserves the right to inspect any equipment or parts which are claimed to have been defective in material or workmanship. This warranty does not apply to any part or product which in our company's judgment shall have been misused or damaged by accident or lack of normal maintenance or care, or which has been repaired or altered in a way which adversely affects its performance or reliability, or which has been used for a purpose for which the product not designed. Misuse also specifically includes failure to properly maintain oil levels, grease points, and driveline shafts.

Claims under this warranty must be made to the dealer which originally sold the product and all warranty adjustments must be made through such dealer. our company reserves the right to make changes in materials or design of the product at any time without notices.

This warranty shall not be interpreted to render our company liable for damages of any kind, direct, consequential, or contingent to property. Furthermore, our company shall not be liable for damages resulting from any cause beyond its reasonable control. This warranty does not extend to loss of crops, any expense or loss for labor, supplies, rental machinery or for any other reason.

No other warranty of any kind whatsoever, express or implied, is made with respect to this sale; and all implied warranties of merchantability and fitness for a particular purpose which exceed the obligations set forth in this written warranty are hereby disclaimed and excluded from this sale.

CHAPTER VI ILLUSTRATED PARTS CATALOGUE

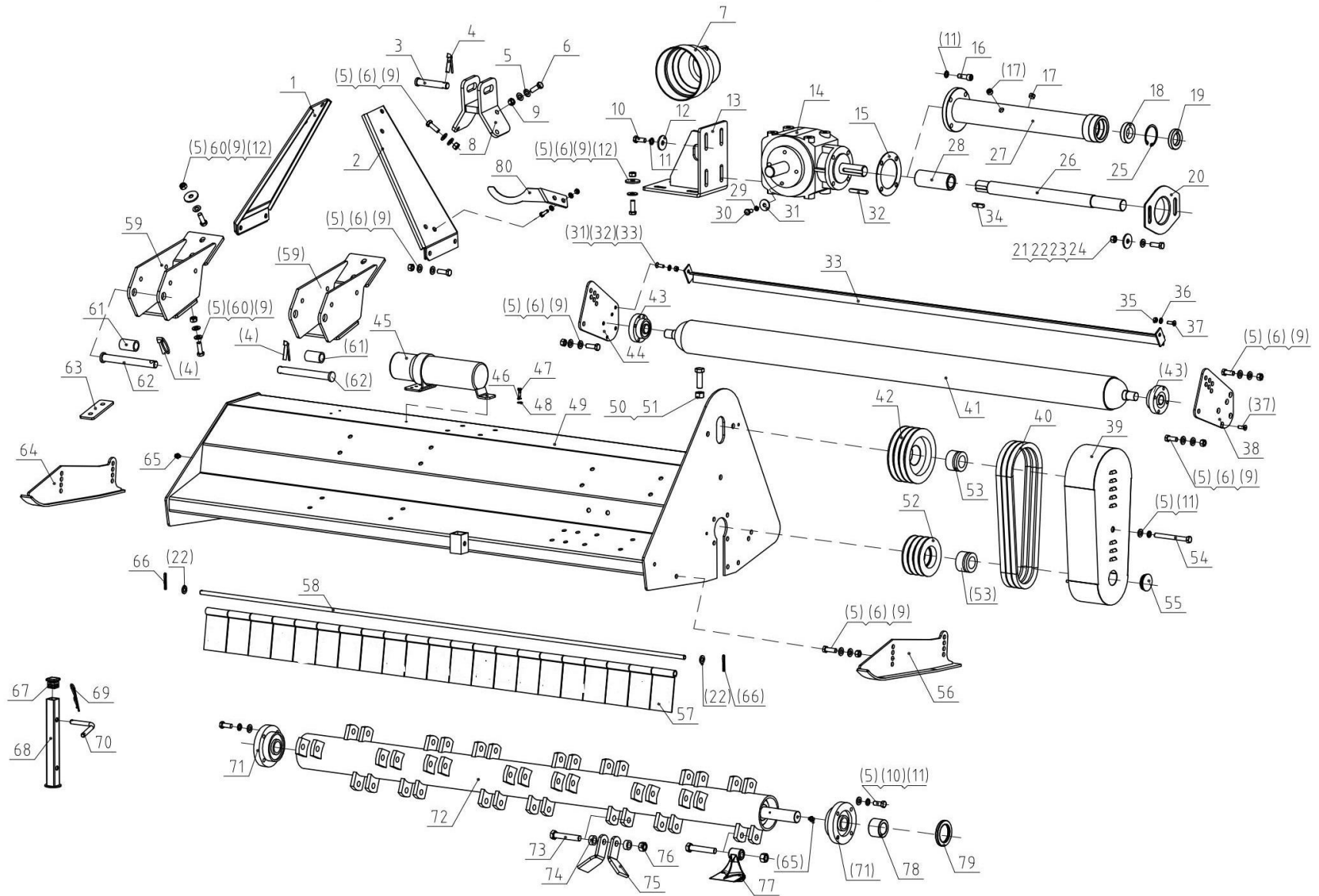
The manual contains a parts list for your machine. It is divided into major sections, which correspond to the groups shown in the Table of Contents and the accompanying illustration.

The first page of each major section lists the contents of that section, each of which consists of exploded views and related tabular listings.

When ordering parts

Always give your dealer the Model of your machine to assist him in ordering and obtaining the correct parts. Use the exploded view and tabular listing of the area of interest to exactly identify the required part.

EFGC Flail Mower Assembly



EFGC Assembly

Ser.No.	Part No.	Name & Specification		Quantity	Remarks
1	EFGC175.022	hanger Welded parts (Right)	右悬挂板焊合件	1	
2	EFGC175.021	hanger Welded parts (left)	左悬挂板焊合件	1	
3	EFGC175.116	Upper pin	上悬挂销	1	
4	DIN11023- φ11	Lock pin φ11	锁销组合件 φ11	3	
5	GB/T 97.1-12	Plain washer 12	平垫 12	65	
6	GB 5783-M12*35	Bolt M12*35	六角螺栓 M12*35	20	
7	EFGC175.123	PTO shielding	PTO保护罩	1	
8	EFGC175.020	Upper hanging Welded parts	上悬挂焊合件	1	
9	GB/T889.1-M12	Lock nut M12	锁紧螺母 M12	20	
10	GB 5783-M12*30	Bolt M12*30	六角螺栓 M12*30	12	
11	GB/T93-12	Spring lock washer 12	弹簧垫圈 12	17	
12	GB/T96-12	Big Plain washer 12	大平垫 12	12	
13	EFGC175.025	Gearbox mounting plate weldment	齿轮箱安装板焊合件	1	
14	XH50-300Z-02W	Gearbox assembly	齿轮箱总成	1	
15	EFGC175.118	Paper pad	纸垫	1	
16	GB/T70.1-M12*35	Hex cylinder head screw M12*35	内六角圆柱头螺钉 M12*35	4	
17	ZBT32001.387	Allen tapered plug ZG3/8-19	内六角锥形螺塞 ZG3/8-19	2	
18	GB/T 276-6007	Deep Groove Ball Bearings 6007	深沟球轴承 6007	1	
19	GB/T 9877.3	Oil seal 35*62*10	油封 35*62*10	1	
20	EFGC175.101-1	Connection plate	连接板	1	
21	GB 5783-M14*35	Bolt M14*35	六角螺栓 M14*35	2	
22	GB/T 97.1-14	Plain washer 14	平垫 14	4	

EFGC Assembly

Ser. No.	Part No.	Name & Specification		Quantity	Remarks
23	GB/T 96-14	Big Plain washer 14	大平垫 14	2	
24	GB/T889.1-M14	Lock nut M14	锁紧螺母 M14	2	
25	GB/T 893.2-62	circlip for hole 62	孔用挡圈 62	1	
26	EFGC125.104	Shaft	传动轴	1	EFGC105/EFGC115/EFGC125
	EFGC155.104	Shaft	传动轴	1	EFGC135/EFGC145/EFGC155
	EFGC175.104	Shaft	传动轴	1	EFGC165/EFGC175
27	EFGC125.015	Shaft tube weldment	传动轴管焊合件	1	EFGC105/EFGC115/EFGC125
	EFGC155.015	Shaft tube weldment	传动轴管焊合件	1	EFGC135/EFGC145/EFGC155
	EFGC175.015	Shaft tube weldment	传动轴管焊合件	1	EFGC165/EFGC175
28	EFGC175.105	Coupling	轴套	1	
29	GB/T 93-10	Spring lock washer 10	弹簧垫圈 10	4	
30	GB/T 5783-M10*16	Bolt M10*16	六角螺栓 M10*16	4	
31	GB/T 96-10	Big Plain washer 10	大平垫 10	4	
32	GB/T 1096-10*65	flat key 10*65	平键 10*65	1	
33	EFGC105.016	Scraping clay weldment	刮泥板焊合件	1	EFGC105
	EFGC115.016	Scraping clay weldment	刮泥板焊合件	1	EFGC115
	EFGC125.016	Scraping clay weldment	刮泥板焊合件	1	EFGC125
	EFGC135.016	Scraping clay weldment	刮泥板焊合件	1	EFGC135
	EFGC145.016	Scraping clay weldment	刮泥板焊合件	1	EFGC145
	EFGC155.016	Scraping clay weldment	刮泥板焊合件	1	EFGC155
	EFGC165.016	Scraping clay weldment	刮泥板焊合件	1	EFGC165
	EFGC175.016	Scraping clay weldment	刮泥板焊合件	1	EFGC175

EFGC Assembly

Ser. No.	Part No.	Name & Specification		Quantity	Remarks
34	GB/T 1096-10*40	flat key 10*40	平键 10*40	1	
35	GB/T889.1-M8	Lock nut M8	锁紧螺母 M8	2	
36	GB/T 97.1-8	Plain washer 8	平垫 8	2	
37	GB70.3-M8*25	flush bolt M8*25	内六角沉头螺钉 M8*25	10	
38	EFGC175.111	Drum connection plate (left)	滚筒左连接板	1	
39	EFGC175.014	Pulley cover	皮带轮罩焊合件	1	
40	GB/T1154-97	Belt BX40(17*1016)	皮带BX40(17*1016)	3	
41	EFGC105.012	Roller weldment	滚筒焊合件	1	EFGC105
	EFGC115.012	Roller weldment	滚筒焊合件	1	EFGC115
	EFGC125.012	Roller weldment	滚筒焊合件	1	EFGC125
	EFGC135.012	Roller weldment	滚筒焊合件	1	EFGC135
	EFGC145.012	Roller weldment	滚筒焊合件	1	EFGC145
	EFGC155.012	Roller weldment	滚筒焊合件	1	EFGC155
	EFGC165.012	Roller weldment	滚筒焊合件	1	EFGC165
	EFGC175.012	Roller weldment	滚筒焊合件	1	EFGC175
42	EFGC175.106	Driving pulley	大皮带轮	1	
43	UC205-Z	UC205-Z bearing block with oilcup	球面轴承90205付座总成	2	
44	EFGC175.112	Drum connection plate (Right)	滚筒右连接板	1	
45		Manual bucket	说明书筒	1	
46	GB/T 93-6	Spring lock washer 6	弹簧垫圈 6	3	
47	GB/T 5783-M6*20	Bolt M6*20	六角螺栓 M6*20	3	
48	GB/T 97.1-6	Plain washer 6	平垫 6	3	

EFGC Assembly

Ser. No.	Part No.	Name & Specification		Quantity	Remarks
49	EFGC105.011	Hood weldment	机罩焊合件	1	EFGC105
	EFGC115.011	Hood weldment	机罩焊合件	1	EFGC115
	EFGC125.011	Hood weldment	机罩焊合件	1	EFGC125
	EFGC135.011	Hood weldment	机罩焊合件	1	EFGC135
	EFGC145.011	Hood weldment	机罩焊合件	1	EFGC145
	EFGC155.011	Hood weldment	机罩焊合件	1	EFGC155
	EFGC165.011	Hood weldment	机罩焊合件	1	EFGC165
	EFGC175.011	Hood weldment	机罩焊合件	1	EFGC175
50	GB5783-M16*1.5*50	Bolt M16*1.5*50	螺栓 M16*1.5*50	1	
51	GB6170-M16*1.5	Nut M16*1.5	普通螺母 M16*1.5	1	
52	EFGC175.107	Driven pulley	小皮带轮	1	
53	JB/T 7934-35*60	Power lock 35*60	胀套 35*60	2	
54	GB/T 5782-M12*120	Bolt M12*120	六角螺栓 M12*120	1	
55	FM120.111	Rubber cover	橡胶罩	1	
56	EFGC175.019	Right plate weldment	右垫板焊合件	1	
57	EFGC175.108	baffle	挡板	N	
58	EFGC105.110	Defence axle	挡板轴	1	EFGC105
	EFGC115.110	Defence axle	挡板轴	1	EFGC115
	EFGC125.110	Defence axle	挡板轴	1	EFGC125
	EFGC135.110	Defence axle	挡板轴	1	EFGC135
	EFGC145.110	Defence axle	挡板轴	1	EFGC145
	EFGC155.110	Defence axle	挡板轴	1	EFGC155

EFGC Assembly

Ser. No.	Part No.	Name & Specification		Quantity	Remarks
	EFGC165.110	Defence axle	挡板轴	1	EFGC165
	EFGC175.110	Defence axle	挡板轴	1	EFGC175
59	EFGC175.017	Suspension connecting plate welding	悬挂连接板焊合件	2	
60	GB/T 5783-M12*40	Bolt M12*40	六角螺栓 M12*40	8	
61	EFGC175.114	Pipe sleeve	管套	2	
62	EFGC175.117	Lower pin	下悬挂销	2	
63	EFGC175.113	Lining board	衬板	4	
64	EFGC175.018	Left plate weldment	左垫板焊合件	1	
65	JB/T 7940.1-M8*1	Oil cup M8*1	油嘴 M8*1	2	
66	GB/T 91-φ3.5	Cotter pin φ3.5	开口销 φ3.5	2	
67	EFGC175.122	Pipe plug 31*31	方管塞 31*31	1	
68	EFGC175.023	Support weldment	撑脚焊合件	1	
69	DIN11024-φ3.5	R pin φ3.5	R销 φ3.5	1	
70	EFGC175.115	L pin	撑脚销	1	
71	UC207-Z	UC207-Z bearing block	球面轴承90207付座总成	2	
72	EFGC105.013	Knife shaft weldment	刀轴焊合件	1	EFGC105
	EFGC115.013	Knife shaft weldment	刀轴焊合件	1	EFGC115
	EFGC125.013	Knife shaft weldment	刀轴焊合件	1	EFGC125
	EFGC135.013	Knife shaft weldment	刀轴焊合件	1	EFGC135
	EFGC145.013	Knife shaft weldment	刀轴焊合件	1	EFGC145
	EFGC155.013	Knife shaft weldment	刀轴焊合件	1	EFGC155
	EFGC165.013	Knife shaft weldment	刀轴焊合件	1	EFGC165

EFGC Assembly

Ser.No.	Part No.	Name & Specification		Quantity	Remarks
	EFGC175.013	Knife shaft weldment	刀轴焊合件	1	EFGC175
73	GB/T 5783-M16*85	Hex cylinder head screw M16*85	螺栓 M16*85	N	
74	EFGC175.102	Blade spacer	刀片隔套	2N	
75	EFGC175.121	Y blade (selection fitting)	Y形刀片	2N	
76	GB/T889.1-M16	Lock nut M16	锁紧螺母 M16	N	
77	EFGC175.125	Hoe blade (selection fitting)	锄头刀片	N	
78	EFGC175.103	Bushing	衬套	1	
79	GB/T 9877.3	Oil seal 55*80*8	油封 55*80*8	1	
80	EFGC175.124	PTO hanging board	PTO 挂板	1	